

DOUBLE-ACTING CYLINDERS WITH EXTERNAL THREADED BODY SERIES 33



Double-acting cylinders with short strokes and external threaded body for easy application of the fixtures.

The piston rod is threaded on the outside.
They come in 6 standard models. Can be used with oil only.



APPLICATIONS

They are used for the construction of fixtures and tools for blanking, drawing and drilling thin sheet metal and pipes.

Double acting operation is required to ensure safe return of the tool.

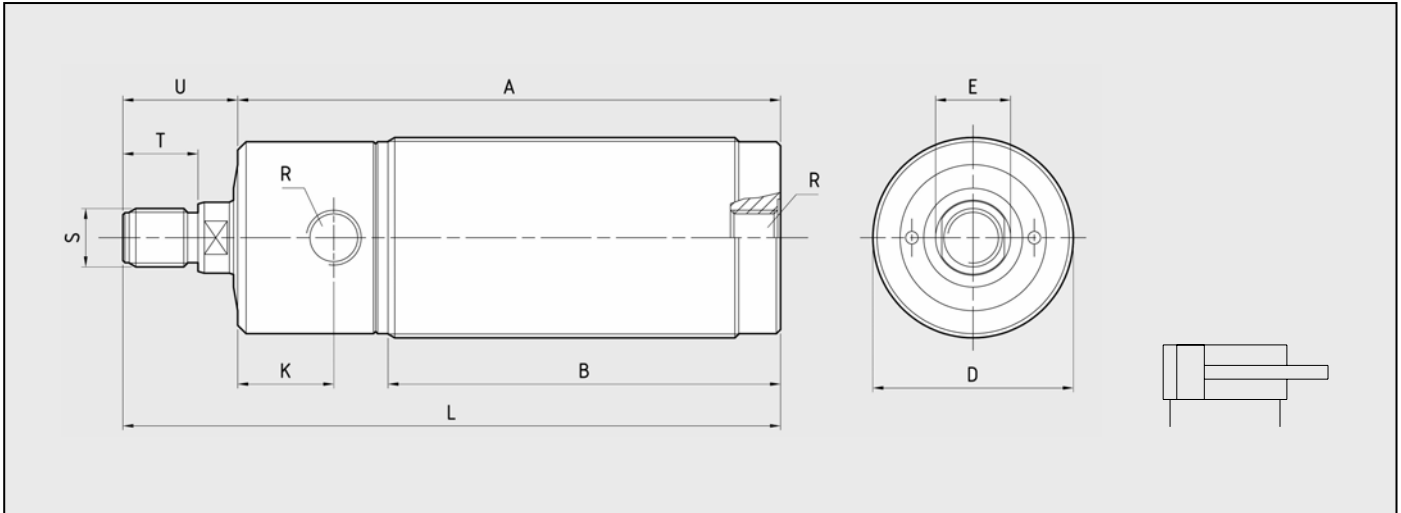
KEY TO CODES

Z52	33	68	55	25
	SERIES	THREADED OUTSIDE DIAMETER	BORE	STROKE (mm)
	33	36	25	25
		48	35	50
		68	55	

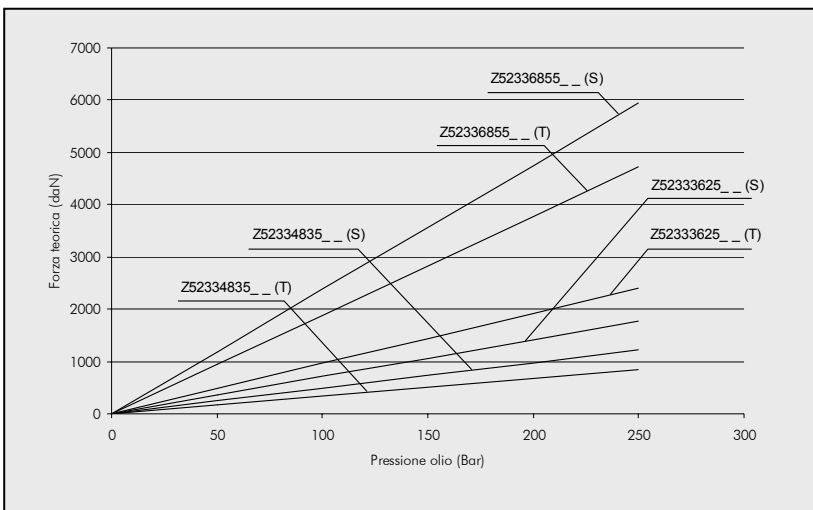
DOUBLE-ACTING CYLINDERS WITH EXTERNAL THREADED BODY SERIES 33



CHARACTERISTICS AND DIMENSIONS



ITEM CODE	FORCE AT 250 BAR (daN)		AREA (cm ²)		VOLUME (cm ³)		STROKE (MM)	DIMENSIONS (mm)									
	Thrust	Pull	Thrust	Pull	Thrust	Pull		A	B	D	E	K	L	S	T	U	R (Oil in)
Z5233362525 Z5233362550	1225	842	4.90	3.37	12.25 24.50	8.42 16.85	25 50	121 146	93 118	M36x1.5	14	18	145 170	M10x1.25	14	24	1/8G
Z5233483525 Z5233483550	2405	1770	9.62	7.08	24.05 48.10	17.70 35.40		130 155	93 120	M48x1.5	18	22	160 185	M14x1.5	18	30	1/4G
Z5233685525 Z5233685550	5937	4712	23.75	18.85	59.38 118.75	47.13 94.80		150 175	107 132	M68x2	25	28	188 213	M20x1.5	25	38	3/8G



FORCE/PRESSURE DIAGRAM
SERIES 33

S = THRUST
T = PULL